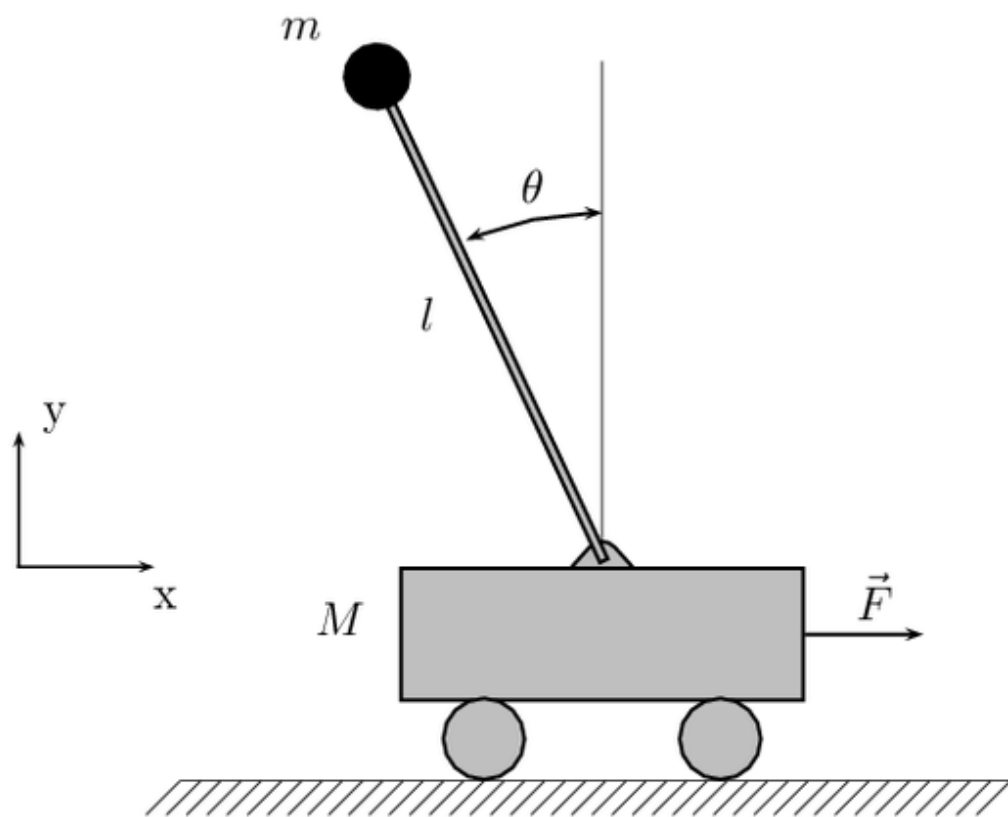


Pendule inversé



$$(M + m) \ddot{x} - ml\ddot{\theta} \cos \theta + ml\dot{\theta}^2 \sin \theta = F$$

$$l\ddot{\theta} - \ddot{x} \cos \theta = g \sin \theta$$